



“Good specifications will always improve programmer productivity far better than any programming tool or technique.”

Effervescent NSS unit which has been established with a rudimentary objective of providing a dais for the interested students to partake in social work during their free time.

EDITORIAL DESK

Hello!!! We are happy to welcome you all aboard the fledgling 2nd edition for the scintillating year 2016. VMTWINSIGHT is the newsletter of the COMPUTER SCIENCE & ENGINEERING which aims to bring forward the buzz from the department in the past few months. The edition demystifies the realms of Computer science & Engineering and also provides insight to the latest technology adopted in the field. Hope our deeds would ignite everyone's life!!!

HOD'S DESK

Dedicated to ensuring great careers for its students. For 2nd edition News Letter this means forging deeper industry linkages than ever before, creating a research culture from day one and ensuring seamless education using the best technology available anywhere. The excellent infrastructure, teaching faculty of the best kind of the Department ensuring quality education such as interaction among students, parents and staff, along with a Training and Placement Cell ensures a bright future to its students. The Department of CSE is striving hard towards the goal of providing innovative and quality education with high standard to achieve academic excellence and provides platform for the students to achieve their career goals.

VISION

To achieve value oriented and quality education with excellent standards on par with evolving technologies and produce technocrats with capabilities of facing futuristic challenges.

MISSION

M1: To enrich advanced knowledge among students for reinforcing the domain knowledge and develop capabilities and skills to solve complex engineering problems.

M2: To impart value based professional education for a challenging career in Computer Science and Engineering.

M3: To transform the graduates for contributing to the socio-economic development and welfare of the society through value based education

PROGRAM EDUCATIONAL OBJECTIVES(PEOS):

PEO1: To acquire logical and analytical skills in core areas of Computer Science & Information Technology.

PEO2: To adapt new technologies for the changing needs of IT industry through self-study, graduate work and professional development.

PEO3: To demonstrate professional and ethical attitude, soft skills, team spirit, leadership skills and execute assignments to the perfection.

PROGRAM SPECIFIC OUTCOMES (PSOS):

PSO1: Foundation on Software Development: Analyze, design and develop efficient algorithms and software applications to deploy in secure environment to support contemporary services.

PSO2: Industrial Skills Ability: Develop software solutions using open source environment to deliver quality products for business success.

PSO3: Ethical and Social Responsibility: Communicate effectively in both verbal and written form, will have knowledge of professional and ethical responsibilities and will show the understanding of impact of engineering solutions on the society and also will be aware of contemporary issues.

FACULTY TECHNICAL ARTICLE BY

Title Name: 4D Visualization by Dr. PENMETSVA VAMSI KRISHNA RAJA

STUDENT TECHNICAL ARTICLE BY

Title Name: JAVA DATABASE CONNECTIVITY by B. SHRADHA

GUEST LECTURES ON

The Department Of CSE Organized Guest Lectures On Latest Topics To Fill The Gaps on-

- Normalization
• Ethical hacking
• Six Sigma
• Generic Classes

NSS ACTIVITIES

- BLOOD DONORS CAMP
• MALARIA & DENGUE AWARENESS
• ROAD SAFETY PROGRAMME
• VOTING AWARENESS PROGRAMME
• AIDS AWARENESS PROGRAMME
• SWACCH BHARAT

CAREER GUIDANCE PROGRAMME IN ASSOCIATION WITH YGK ACADEMY

- Carrier Guidance And Abroad Counseling III&IV Year Students Which Was Organized By YGK Academy
• Professional Development Program Career Awareness session
• Communication & Language Skills
• G.D orientation program me
• Resume Writing



Faculty Technical Article : Title - 4D Visualization Written by Dr. PENMETSVA VAMSI KRISHNA RAJA

INTRODUCTION

Visualizable objects in biology and medicine extend across a vast range of scale, from individual molecules and cells through the varieties of tissue and interstitial interfaces to complete organs, organ systems, and body parts.

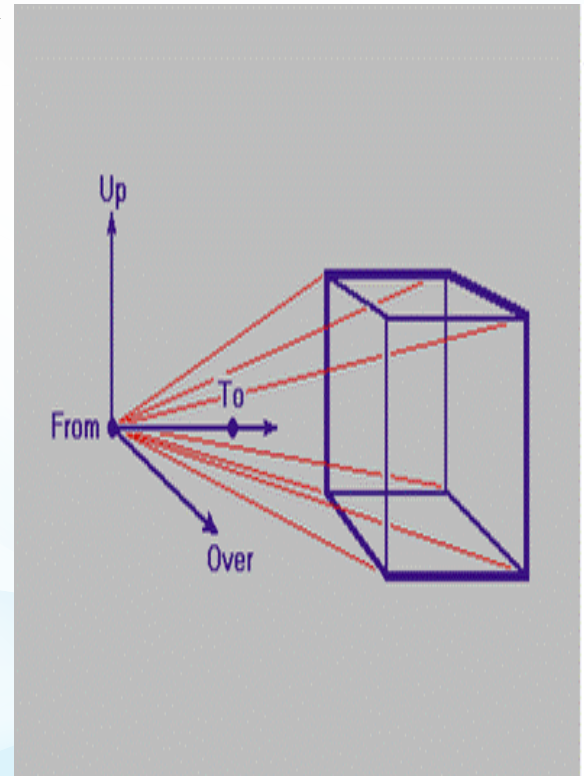
4D-THE MODERN DIMENSION

"4D" is shorthand for "four-dimensional"- the fourth dimension being time. 4D visualization takes three-dimensional images and adds the element of time to the process. In contrast to 3D imaging diagnostic processes, 4D allows doctor to visualize internal anatomy moving in real-time. For example: Movement patterns of fetuses allows conclusions to be drawn about their development; increase of accuracy in ultrasound guided biopsies thanks to the visualization of needle movements in real time in all 3 planes. So physicians and sonographers can detect or rule out any number of issues, from vascular anomalies and genetic syndromes

4D VIEWING VECTORS AND VIEWING FRUSTUM

CONCLUSION

Advanced medical imaging technology allows the acquisition of high resolved 3D images over time i.e.4D images of the beating heart. 4D visualization and computer supported precise measurement of medical indicators (ventricle volume, ejection fraction, wall motion etc.) have the high potential to greatly simplify understanding of the morphology and dynamics of heart cavities, simultaneously reduce the possibility of a false diagnosis. 4D visualization aims at providing all information conveniently in single, stereo, or interactively rotating animated views. The goal of the 2nd year of the Med-SANARE project is twofold. On one hand a virtual table metaphor will be utilized to set up a visionary high-end cardiac diagnosis demonstrator for educational purpose that makes use of augmented reality (AR) techniques. On the other hand a Cardiac Station will be implemented as functional reduced solution that supports image evaluation making use of standard PC-based technology. The functionality offered will be sufficient to successfully perform the tasks required by the diagnostic procedure. For both systems realistic and detailed modeling and visualization plays a crucial role



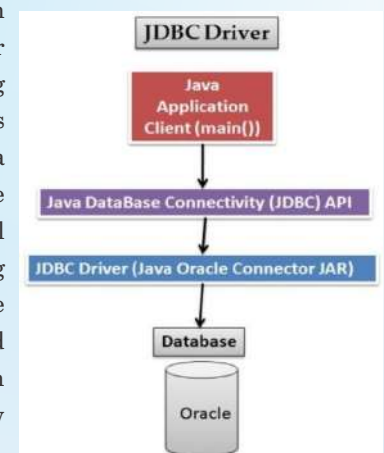
Student Technical Article : Title - Java Database Connectivity Written by B. SHRADHA

INTRODUCTION

JDBCT is a JavaT API for executing SQL statements. (As a point of interest, JDBC is a trademarked name and is not an acronym; nevertheless, JDBC is often thought of as standing for "Java Database Connectivity".)

Java, being robust, secure, easy to use, easy to understand, and automatically Downloadable on a network, is an excellent language basis for database applications. What is needed is a way for Java applications to talk to a variety of different databases. JDBC is the mechanism for doing this. JDBC extends what can be done in Java. For example, with Java and the JDBC API, it is possible to publish a web page containing an applet that uses information obtained from a remote database. Or an enterprise can use JDBC to connect all its employees (even if they are using a conglomeration of Windows, Macintosh, and UNIX machines) to one or more internal databases via an intranet. With more and more programmers using the Java programming language, the need for easy database access from Java is continuing to grow. MIS managers like the combination of Java and JDBC because it makes disseminating information easy and economical. Businesses can continue to use their installed databases and access information easily even if it is stored on different database management systems. Development time for new applications is short.

The JDBC driver manager is the backbone of the JDB architecture. It actually is quite small and simple; its primary function is to connect Java applications to the correct JDBC driver and then get out of the way



NSS ACTIVITIES

We have an effervescent NSS unit which has been established with a rudimentary objective of providing a dais for the interested students to partake in social work during their free time. The report of the activities of the unit for the academic year 2015-16 has been a record of accomplishments and triumphs.

BLOOD DONORS CAMP

Ever since the initiation of the unit we have established a blood donors club in our college to arrange blood on the spot to the needy patients admitted in various hospitals. This year our volunteers could help 12 needy patients in various hospitals.



MALARIA AWARENESS

40 students of our College underwent training for ongoing Malaria Awareness Campaigning and conducted rally, skit and survey. It was conducted on 9th Dec. 2015. They gave thorough information regarding causative agent of Malaria i.e. Mosquito consisting of their types, source, life span, preventive measures for decreasing the spread of Mosquito, information regarding symptoms of a Malaria infected person. December, 2015 in our adopted slum area of Kondapur



ROAD SAFETY PROGRAM

NSS Volunteers of College conducted various Road safety programs such as Poster Competition, sending SMS, rally and Seminar on road safety to aware citizens of India regarding various safety measures should be adopted while driving the vehicles on the road.



AIDS AWARENESS PROGRAM

AIDS awareness program in the campus, adopted village and slum area were organized by the unit throughout the academic year. 28 volunteers participated in Aids Awareness rally from Vmtw College to nearby slum area on 1st December 2015.



SWACCH BHARAT

NSS Volunteers at Kondapur and nearby slum area and also the college campus. Every Week 1 hour devoted by Volunteers on cleanliness by 61 NSS Volunteers at Kondapur. Door to Door campaign conducted by the students in village to aware children about Cleanliness drive at Kondapur Village.



VOTING AWARENESS

Vmtw College had organized Voting Awareness programme to aware the students of college and to impart the knowledge about importance of voting. 22 NSS students participated in spread voting awareness in Ghatkesar village on 23rd January 2016.



ACADEMIC PERFORMANCE**CSE III YEAR I SEMESTER TOPPERS**

K. LAXMI SUJANA
H.T.No.13UP1A0532
78.93%



N. CHAYANIKA KUMAR
H.T.No.13UP1A0545
74.67%



K. LAXMI SUJANA
H.T.No.13UP1A0537
72.13%

CSE IV YEAR I SEMESTER TOPPERS

M. ANUSHA
H.T.No.13UP1A0551
80%



K. SREE POJA
H.T.No.13UP1A0540
77.07%



A. HARITHA
H.T.No.13UP1A0501
76.08%